

## RE-THERMALIZER

PNC	Model	Ref	Brand	Version	Notes
P80767	*	*	Elux	EL	ELECTRIC 1X40 LT WELL - RETHERMALIZER FIELD TEST VERSION
391238	E9PCEDRMC0	a	Elux	EL	ELECTRIC RETHERMALIZER 1X40L-PRET MANGER
391391	E9PCEDRMC0	b	Elux	EL	ELECTRIC RETHERMALIZER 1X40L-PRET MANGER
391352	E9PCEDRMC0	c	Elux	EL	ELECTRIC RETHERMALIZER 1X40L- 415V/3N/50Hz
<b>391999</b>	<b>E9PCEDRMC1</b>	<b>d</b>	<b>Elux</b>	<b>EL</b>	<b>ELECTRIC RETHERMALIZER 1X40L-240V/1N/50Hz</b>

### Index

General components / Componenti struttura  
 Lids & handle / Coperchio e maniglia  
 Spare parts list / Lista ricambi

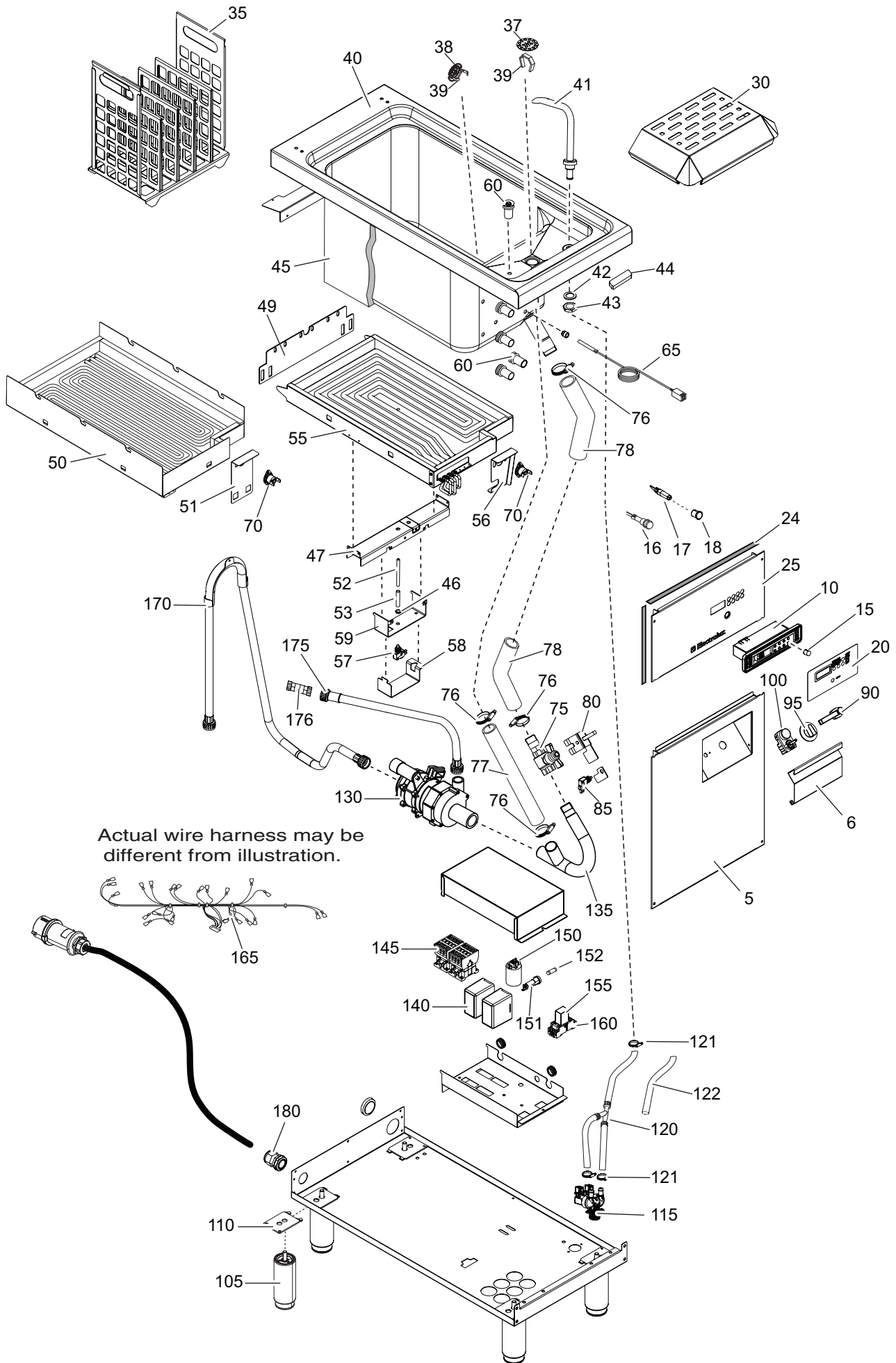
### Page

2  
 3  
 4-5

**Bold=last change / Grassetto =ultima modifica**

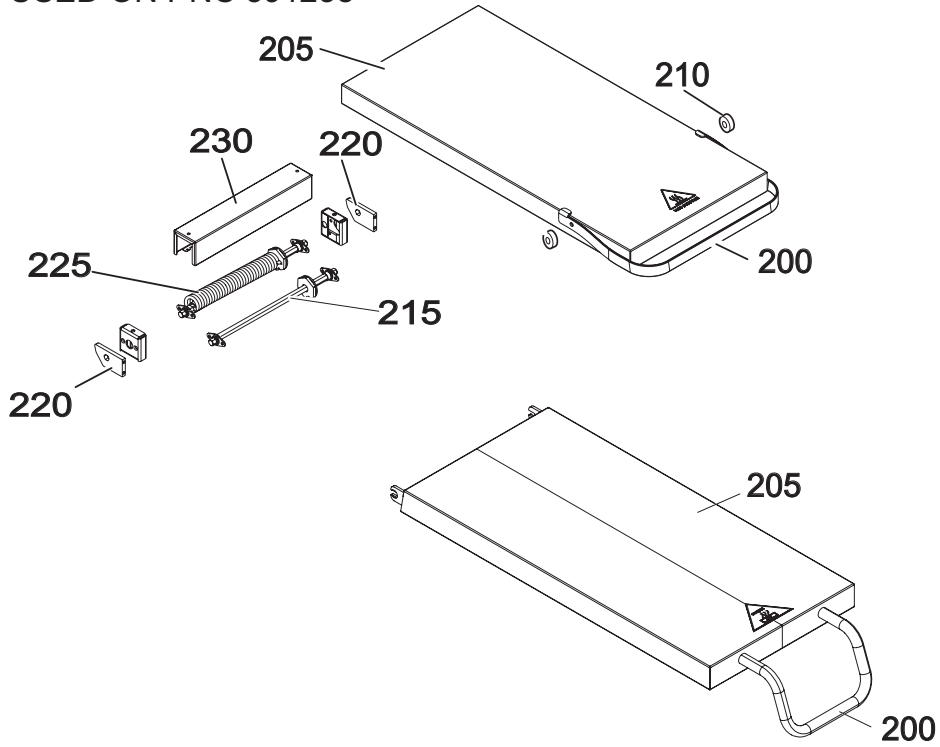
Rev. 13

From Ser. Nr.3.38.1 Up to Ser. Nr.	Ed. 2014-04 Updated 2021/12	Page: 1	<b>Doc No:59785SH00</b>
---------------------------------------	--------------------------------	---------	-------------------------

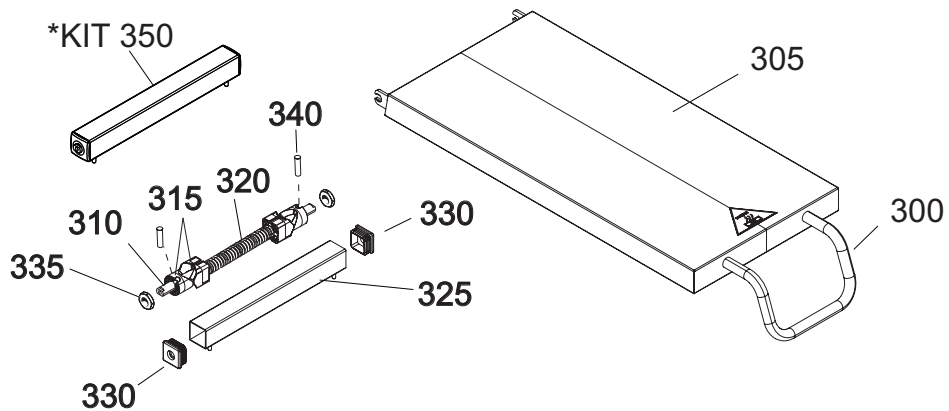


## Mild steel plate - Piastra ferro

USED ON PNC 391238



USED ON PNC 391391-391352-391999



## RE-THERMALIZER

Pos	Spare Code	Factory Code	Descrizione	Description	Ref./Notes
5	OCA197	85089LW01	PANNELLO COMPLETO (CON SPORTELLINO)	COMPLETE PANEL (WITH DOOR)	
6	*	507899X02	SPORTELLINO PANNELLO FONTALE	INSPECTION DOOR	
10	0C9651	673800301	TERMOREGOLATORE	THERMOREGULATOR	
15	OCA072	1090070040	COPRI TASTO GOMMA	MICRO SWITCH BUTTON EXTENSION	8 x each pack
16	005010	876800002	LAMPADA COMPLETA VERDE	COMPLETE GREEN LAMP	
17	0C2585	660806900	LAMPADINA	BULB	
18	0C2587	655800100	LENTE VERDE	GREEN LENS	
20	0C9652	675860Q00	MEMBRANA CRUSCOTTO	MEMBRANE (STIKER)	
24	0C2496	543821900	GUARNIZIONE SPUGNA GRIGIA	GRAY SPONGE GASKET	
<b>25</b>	<b>OCA198</b>	<b>85089LX02</b>	<b>CRUSCOTTO MARCHIATO</b>	<b>FRONT PANEL</b>	
<b>30</b>	<b>0C9645</b>	<b>5038ABK02</b>	<b>SGOCCIOLATOIO</b>	<b>DRIP COVER</b>	
35	0C9754	85089LU01	SUPPORTO BUSTE	SOUP HOLDER	
37	0C6960	506899Z01	FILTRO TROPPOPIENO	OVERFLOW FILTER	
38	004836	506864501	FILTRO FONDO, SCARICO	WELL DRAIN FILTER	
39	054905	514848301	MOLLA PER FILTRI	SPRING FOR FILTERS	
40	0CB408	87089S800	VASCA CON RIPIANO	WELL ASSEMBLY	
41	0C9649	51489DC01	GETTO EROGATORE	INLET WATER	
42	*	206009192	RONDELLA GETTO EROGATORE	WASHER INLET	
43	0C8993	516875100	DADO GETTO EROGATORE	NUT INLET WATER	
44	0C5459	549803000	MAGNETE	MAGNET	
<b>45</b>	<b>OCA200</b>	<b>560873903</b>	<b>ISOLAMENTO VASCA</b>	<b>WELL ISOLATION</b>	
46	0C8219	0218563004	DADO		
47	OCA958	50489T402	TRAVERSA SUPPORTO	BEAM SUPPORT	c d
<b>49</b>	<b>0CB474</b>	<b>50489TZ02</b>	<b>SUPPORTO STAFFA RESISTENZA</b>	<b>H.E. SUPPORT BRACKET</b>	<b>c d</b>
50	0C9650	617839W00	RESISTENZA INFRAROSSO 10KW	HEATING ELEMENT 10KW	a b
51	OTT0A2	538831803	SUPPORTO RESISTENZA	HEATING ELEMENT SUPPORT	a b
52	0C8182	569807501	TUBO CERAMICO /STEATITE		
<b>53</b>	<b>0CB496</b>	<b>51489DT02</b>	<b>ASTINA MICRO</b>	<b>SPACER ROD</b>	
<b>55</b>	<b>0CB194</b>	<b>61783AL01</b>	<b>RESISTENZA INFRAROSSO 10KW 415V 3</b>	<b>HEATING ELEMENT 10KW 415V 3</b>	<b>c</b>
<b>55</b>	<b>0CB753</b>	<b>61783AW00</b>	<b>RESISTENZA INFRAROSSO 3,5KW 240V 1N</b>	<b>HEATING ELEMENT 3,5KW 240V 1N</b>	<b>d</b>
<b>56</b>	<b>0CB475</b>	<b>50289H101</b>	<b>SUPPORTO RESISTENZA</b>	<b>HEATING ELEMENT SUPPORT</b>	<b>c d</b>
57	OCA553	640804N00	MICRO SICUREZZA VASCA	WELL SAFETY SWITCH	c d
<b>58</b>	<b>OTTIYI</b>	<b>50789A000</b>	<b>PROTETTORE MICRO</b>	<b>SWITCH PROTECTOR</b>	<b>c d</b>
<b>59</b>	<b>OTTIYH</b>	<b>50589JP00</b>	<b>BASE PER MICRO</b>	<b>MICROSWITCH BASE</b>	<b>c d</b>
60	0C9755	541813G03	SUPPORTO SONDA TEFLON	TEFLON PROBE HOLDER	5pcs per appliance
65	OCA954	653800201	SONDA TEMP. NTC SHIBAURA	NTC TEMP PROBE	
70	0C6155	653800001	CLIXON (TERM SICUREZZA)	SAFETY THERMOSTAT	
75	005919	835849800	VALVOLA AIRAGA 3/4"	DISCHARGE VALVE	
76	0L2728	518613300	FASCETTA INOX 25/40MM	INOX CLAMP BAND 25/40MM	Up to 2021/50
<b>76</b>	<b>0C9201</b>	<b>518825C00</b>	<b>FASCETTA INOX 25/40MM</b>	<b>INOX CLAMP BAND 25/40MM</b>	<b>From 2021/51</b>
77	0C7133	544825F00	TUBO TROPPOPIENO NERO	OVERFLOW PIPE, BLACK	540MM
<b>78</b>	<b>0C5122</b>	<b>544819701</b>	<b>TUBO SCARICO EPDM BLU</b>	<b>DRAIN PIPE EPDM, BLUE</b>	<b>100MM</b>
<b>80</b>	<b>0C9654</b>	<b>835876502</b>	<b>PROLUNGA MANIGLIA SCARICO</b>	<b>HANDLE EXTENSION</b>	
85	OCA553	640804N00	MICRO SICUREZZA VASCA	WELL SAFETY SWITCH	c d
90	056887	835821900	MANIGLIA DI SCARICO	DISCHARGE HANDLE	
95	0A2269	A05437100	MANOPOLA TIMER	SELECTION KNOB, TIMER	
100	0C9184	646817C00	TIMER	TIMER	
<b>105</b>	<b>0C0204</b>	<b>835856901</b>	<b>PIEDE</b>	<b>FOOT</b>	
110	OTTG45	50589CD00	STAFFA PIEDE	FOOT BRACKET	

## RE-THERMALIZER

Pos	Spare Code	Factory Code	Descrizione	Description	Ref./Notes
115	0C9653	696808B00	EL.VALV.240V/FILTRO/STAFFA	VALVE/FILTER/BRACKET	
120	0C5569	806878300	ASS.TUBI INGRESSO ACQUA	COMPLETE WATER INLET PIPES	
121	049888	518613100	FASCETTA INOX 12/22 MM	INOX CLAMP BAND 12/22 MM	
122	*	544819400	TUBO INGRESSO ACQUA EPDM	INLET EPDM PIPE	1M just pipe
130	0L1079	611631300	POMPA MONOFASE	PUMP SINGLE PHASE	220/240V 50 HZ
<b>135</b>	<b>0CB551</b>	<b>83089K101</b>	<b>COLLETTORE DI SCARIO</b>		
140	0C0937	646813400	REGOLATORE DI LIVELLO GICAR	WATER LEVEL REGULATOR	
145	006879	648807400	CONTATTORE	CONTACTOR	
150	0CB477	694400U00	FILTRO RADIODISTURBO	DISTURBANCE FILTER	
151	0CB128	805408Q00	PORTAFUSIBILE	FUSE HOLDER	
152	0C4996	652806100	FUSIBILE 5X20 3,15A	FUSE 5X20 3,15A	
155	002787	648804201	RELE'FINDER	RELE'	
160	002786	639806401	ZOCCOLO RELE' FINDER	BASE FOR RELE	
<b>165</b>	*	<b>63889AM04</b>	<b>ASSIEME CABLAGGIO</b>	<b>WIRING HARNESS</b>	<b>a b c</b>
<b>165</b>	*	<b>63889BF00</b>	<b>ASSIEME CABLAGGIO</b>	<b>WIRING HARNESS</b>	<b>d</b>
170	0C8327	830401F01	TUBO BLU, INGRESSO ACQUA	WATER INLET PIPE, BLUE	
175	0C9780	835876M02	TUBO NERO, SCARICO ACQUA	WATER OUTLET PIPE, BLACK	
176	0L0264	549644001	VALVOLA DOPPIA	valve	
180	0C0068	544802300	PRESSACAPO	WIRE STOPPER	
200	0C9646	509806801	MANIGLIA RE-THERMALIZER	HANDLE	
	0CA467	83089M700	MANIGLIA RE-THERMALIZER	HANDLE	
205	0CA199	85089MC00	COPERCHIO RE-THERMALIZER	LID	
	0CA465	85089MC01	COPERCHIO RE- THERMALIZER	LID	
210	0A5153	508806002	BOCCOLA OTTONE	BRASS BUSH	
215	0C9771	51489DA02	PERNO MOLLA	SHAFT FOR SPRING	
220	0C9647	512854101	CERNIERA COPERCHIO	HINGE	
	0CA466	512854102	CERNIERA COPERCHIO	HINGE	
225	0C9648	51489DB00	MOLLA COPERCHIO	LID SPRING	
230	*	5038ABJ02	COPERTURA CERNIERA	HINGE COVER	
300	0CB124	051589CF01	MANIGLIA RE-THERMALIZER	HANDLE	b c d
305	0CA554	085089MS02	COPERCHIO RE-THERMALIZER	LID	b c d
310	0CB281	051489F003	PERNO MOLLA	SHAFT FOR SPRING	
315	0CB282	0546825803	CERNIERA COPERCHIO	HINGE	
320	0CA840	051489F102	MOLLA COPERCHIOHIO	LID SPRING	b c d
325	0CA837	051589CD00	CORPO CERNIERA (COPERCHIO)	HINGE COVER	b c d
330	0CA955	541813S00	TAPPO CANOTTA	HINGE PLUG	b c d
335	0C4202	516896000	DADO FISS. BOCCOLE	NUT, FIXING BUSH	b c d
340	0CA841	219301500	SPINA	PIN	b c d - 8X32mm
350	0CA960	835878Z01	KIT COMPLETO CERNIERA	KIT HINGE ASSEMBLY	b c up to 7481
<b>350</b>	<b>0CB495</b>	<b>835878Z02</b>	<b>KIT COMPLETO CERNIERA</b>	<b>KIT HINGE ASSEMBLY</b>	<b>c d from 7491</b>
360	0CB315	83089N801	ASS CERNIERA SENZA COPERCHIO	HINGE ASSEMBLY WITHOUT COVER	

Ref: a  
ALL CODES ARE  
REPLACED BY  
COMPLETE LID KIT:  
0CB122 / 879802901